



# Tango G3 - BVP38x

## BVP383 LED450/CW 400W 220-240V NB GM

The energy-saving Philips Tango G3 LED Floodlight is the ideal solution for a wide range of Area lighting applications. It incorporates the LED light source, optical system, heat sink and driver into one compact and robust housing that meets globally recognized safety standards. Its specially designed heat sink incorporates aesthetics and functionality to ensure excellent reliability. Powered by LED technology, this luminaire delivers superior performance and a longer lifetime, bringing area lighting to a whole new level.

### Product data

General Information		Light source engine type	
Lamp family code	-	Light source engine type	LED
Light source color	Cool white	Light Technical	
Light source replaceable	Yes	Standard tilt angle posttop	-
Driver/power unit/transformer	Power supply unit	Standard tilt angle side entry	-
Driver included	Yes	Operating and Electrical	
Optical cover/lens type	Polycarbonate micro lens optic	Input Voltage	220-240 V
Luminaire light beam spread	13°	Input Frequency	50 or 60 Hz
Control interface	-	Power Factor (Min)	0.95
Connection	Flying leads/wires	Controls and Dimming	
Cable	Cable 1.5 m without plug	Dimmable	No
Protection class IEC	Safety class I	Mechanical and Housing	
Flammability mark	-	Housing Material	Aluminum die cast
CE mark	CE mark	Reflector material	-
ENEC mark	-	Optic material	Polycarbonate
Warranty period	3 years		
Optic type outdoor	Narrow beam		
RoHS mark	-		

## Tango G3 - BVP38x

Optical cover/lens material	Polycarbonate
Fixation material	Steel
Mounting device	Mounting bracket adjustable
Optical cover/lens shape	-
Optical cover/lens finish	Frosted
Overall length	591 mm
Overall width	114 mm
Overall height	603 mm
Effective projected area	0.29 m <sup>2</sup>
Color	Aluminum and gray

### Approval and Application

Ingress protection code	IP66 [ Dust penetration-protected, jet-proof]
Mech. impact protection code	IK08 [ 5 J vandal-protected]
Surge Protection (Common/Differential)	Luminaire surge protection level until 15 kV differential mode and 15 kV common mode

### Initial Performance (IEC Compliant)

Initial luminous flux (system flux)	45000 lm
Luminous flux tolerance	+/-10%
Initial LED luminaire efficacy	110 lm/W

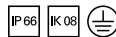
Init. Corr. Color Temperature	5700 K
Init. Color Rendering Index	>70
Initial chromaticity	SDCM< 7
Initial input power	400 W
Power consumption tolerance	+/-10%

### Application Conditions

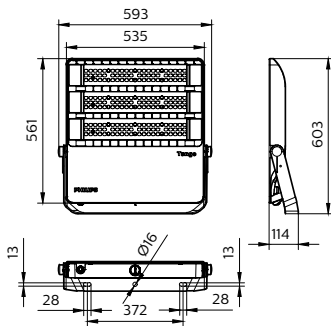
Ambient temperature range	-40 to +50 °C
---------------------------	---------------

### Product Data

Full product code	911401695003
Order product name	BVP383 LED450/CW 400W 220-240V NB GM
Order code	911401695003
Numerator - Quantity Per Pack	1
Numerator - Packs per outer box	1
Material Nr. (12NC)	911401695003
Net Weight (Piece)	12.499 kg



## Dimensional drawing



Tango G3 - BVP38x

